

PMA.Vision (model VIS1Y2)

For use in zone 2 (Class I, Div 2) hazardous areas



- Network scale with integrated mixing module and internal job queue
- Intuitive user interface (PMA.Vision mixing guide)
- Graphic display with touch functionality
- One cable for power and data
- Improved cleanability

Technical data

Capacity	7500 999,95 g
Readability	0,1 0,05 g
Tare range (subtractive)	-7500 g
Weighing pan (∅)	233 mm
Housing (WxDxH)	233 x 321 x 341 mm
Net weight	approx. 2.5 kg
External calibration weight	1, 2, 5 kg (class F2 or better)
Allowable operating temperature	5 ... 45 °C (41 ... 113 °F)
Dust and water protection rating in accordance to EN 60529/IEC 60529:	IP40
Power supply	Power plug YPS07-USB
Input voltage power consumption	5 V _{DC} 5,1 W typ.
Approval	Ex zone 2 Class I, Div 2
IECEX	(In approval process)
ATEX	
Data transfer	Ethernet 10 100 Mbit, Full or Half duplex
Format	XML- or JSON
Internal application	Integrated mixing module with internal job queue (20 jobs or 50 fixed formulations) Dualrange 0.05 g (up to 999.95 g) Recalculation (correction of over-pours) Calculation by factor (0.25 – 5.0)

Standard accessories

Ex Link converter	YCO17-Z
Link cable to converter, length 10 m (32.8 ft.)	YCC01-0052M10
USB cable, length 5 m (16.4 ft.)	YCC01-0040M5

Optional accessories

In-use cover for display (set of 10)	YDC03PMA10
In-use cover for column (set of 10)	YDC03PMA-CO10
In-use cover for weighing pan (set of 10)	YDC03PMA-WP10

Link cable to converter, length 20 m (32.8 ft.)	YCC01-0052M20
Link cable to converter, length 30 m (32.8 ft.)	YCC01-0052M30

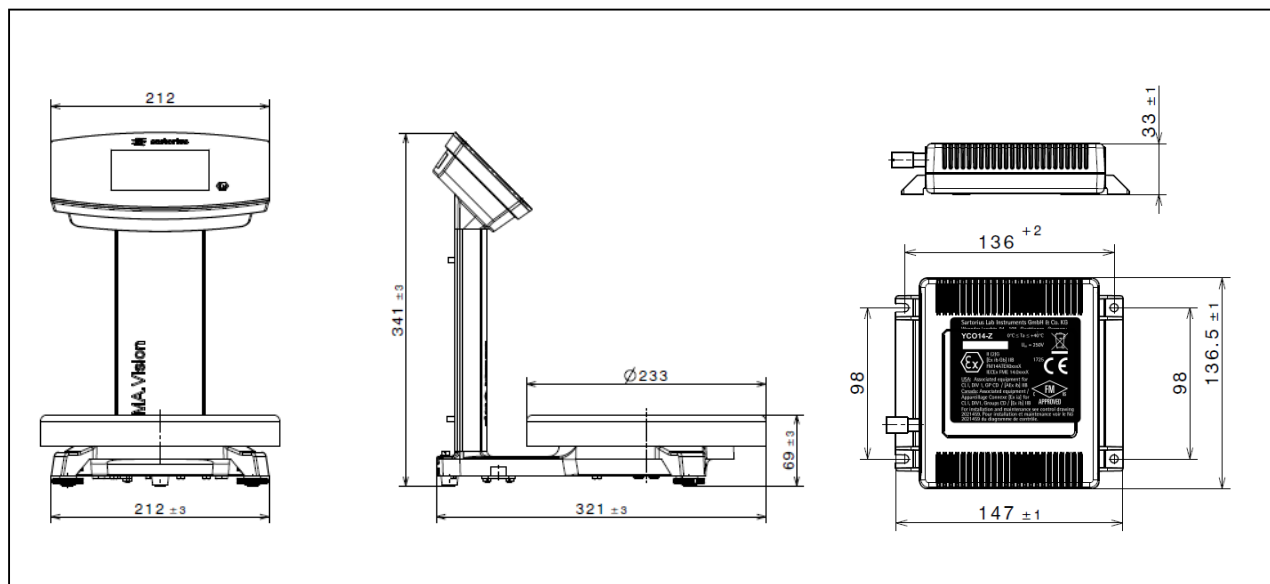
USB power plug 5 V _{DC} / 900 mA	YPS07-USB
AC-adapter set (US, EU, UK)	YAK01
AC- adapter set (AU, ZA, BR)	YAK02
AC- adapter set (IN, KR, CN)	YAK03

External calibration weight 1 kg (class F2)	YCW614-AC-00
External calibration weight 1 kg (class F2) with DAKKS certificate	YCW614-AC-02
External calibration weight 2 kg (class F2)	YCW624-AC-00
External calibration weight 2 kg (class F2) with DAKKS certificate	YCW624-AC-02
External calibration weight 5 kg (class F2)	YCW654-AC-00
External calibration weight 5 kg (class F2) with DAKKS certificate	YCW654-AC-02



VIS1Y2 rear view

Dimension drawing



Specifications subject to change without notice.

Current status: July 2015